

TECHNICAL SPECIFICATION

Wall mounted fixtures ECONOMIC



Technical data

- Lamp power: 5W
- Colour temperature: 4000K
- Rated voltage: 230V / 50/60Hz
- Lumens /whole fixture/: 600lm
- Power Supply: control gear, DC device – driver, included in the set
- LED type: SMD
- Light source: SAMSUNG
- Colour rendering index: Ra≥80
- Average Lifetime: 30 000h
- Housing: polycarbonate
- Colour of the housing: grey
- Installation: surface mounting
- Protection against dust and moisture: IP54
- Protection against electric shock: I
- Surface requirements: Class F

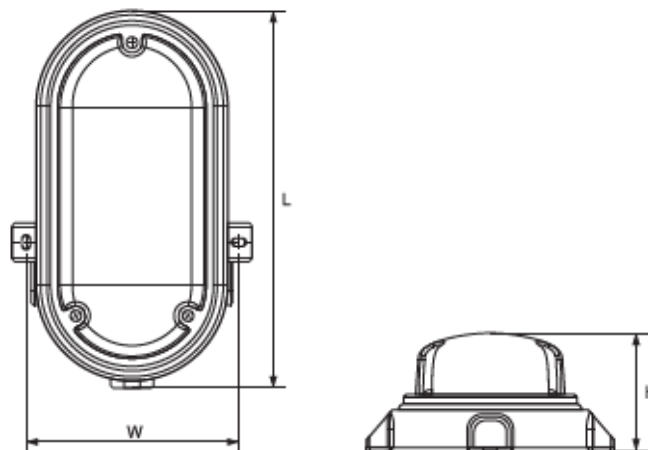
Areas of application

- Exterior Wall Lighting Fixture
- Corridors, Hotels
- Public Buildings
- Educational facilities

Product benefits

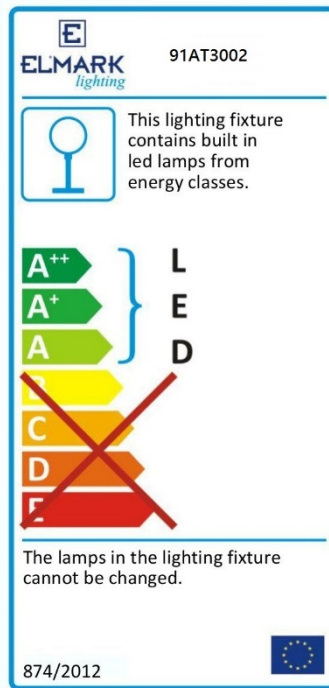
- Low power consumption
- Instant light with maximum luminous flux
- Environmentally friendly - no mercury and lead
- No ultraviolet and infrared rays
- Resistant to shock and vibration stable body
- Low heat emission

Variants and dimensions



Watt	LED chip lumens (lm)	Whole fixture lumens (lm)	Colour temp (K)	Colour body	Size (mm)			Catalogue number	Packing (pcs)
					Lenght	Width	Height		
5W	720	600	4000	grey	209	118	63.5	91AT3002	1

Energy efficiency



Barcodes

Barcode	Catalogue number
3800131190673	91AT3002

Standards

EN 55015

EN 61000-3-2; EN 61000-3-3

EN 61547

EN 60598-1; EN 60598-2-2

